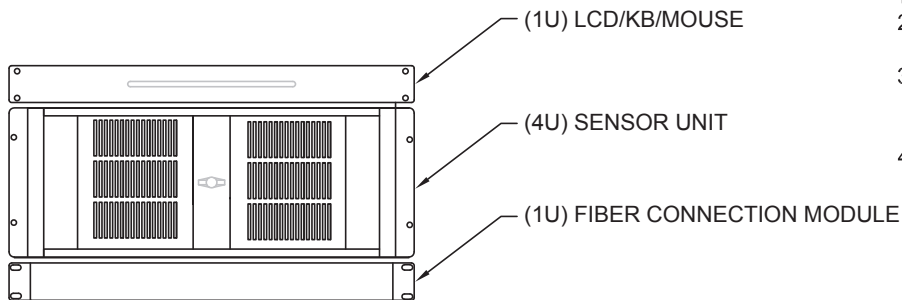


FiberPatrol FP1150 Rack Layout



NOTES:

1. All equipment to be installed in a standard 19" rack
2. Head end equipment to be mounted at least 12" above floor level
3. Rack must have at least 22" depth clearance with rear access for module interconnects and unimpeded air circulation
4. Requires at least 2" of clearance in front of the mounting rails