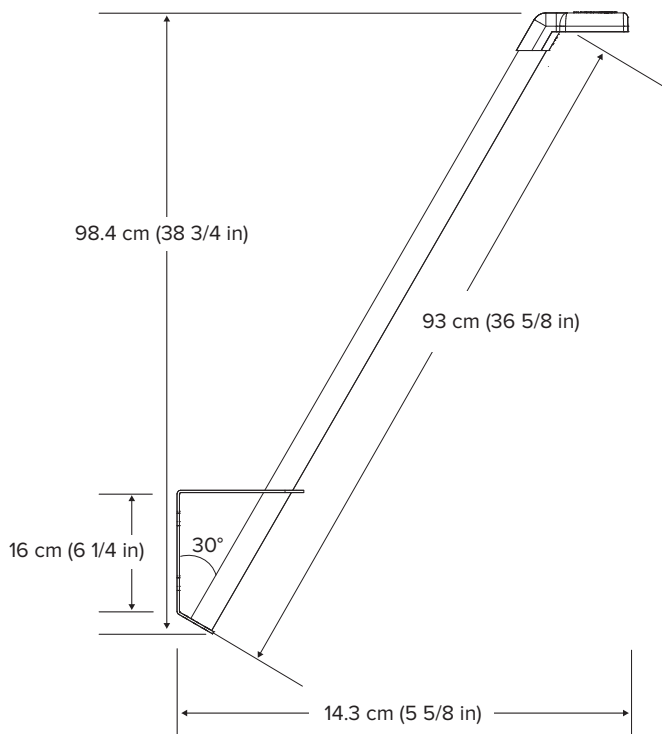


Senstar LM100 Luminaire

E8FG0210



Description

The Senstar LM100 Luminaire provides high-quality LED illumination directed downwards along the fence line. The light head contains an accelerometer-based intrusion detection sensor. The luminaire is attached directly to the top of the fence post via stainless steel clamps.

The Luminaire communicates with the Luminaire AP over an encrypted wireless mesh network.

Physical Specifications

- Dimensions: (H/D/W): 98.4 x 14.3 x 5.1 cm (38 3/4 x 5 5/8 x 2 in)
- Mounting arm diameter (OD): 3.1 cm (1 1/4 in)
- Weight: 728 g (1.6 lbs)
- Cable entry point with plug
- Rugged UV-rated ASA and polycarbonate housing (NEMA Type 3S)
- Welded aluminum mounting arm with polyester power black finish

LED Specifications

- Brightness: 53 lux/luminaire
- Correlated color temperature (CCT): 6500 K (nominal)
- Coverage pattern: 120 degrees

RF Specifications

- 2.4 GHz 128-bit AES encrypted communications link
- Wireless range: 30 m (100 ft)

Power Specifications

- Input: 12 to 48 VDC
- Consumption: 2.5W

Environmental Specifications

- Operating temperature: -40 to 70 °C (-40 to 158 °F)
- Humidity: 100% (condensing)

Regulatory Compliance

- FCC, CE (including RoHS 2), REACH, UL

See the *Senstar LM100 Datasheet* for a full system description.