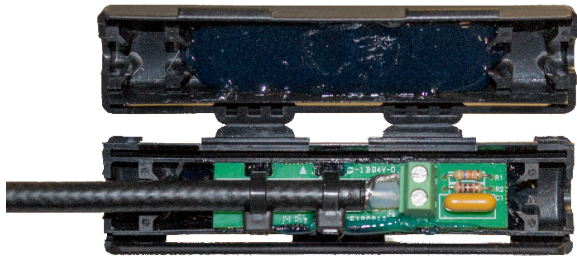


FlexZone Cable Termination Kit

G6KT0201



Description

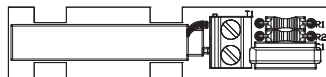
The termination circuit card assembly is used at the end of FlexZone cables that are not terminated by another processor. The terminator eliminates noise and reflections within the cable.

The kit includes the termination circuit card assembly, a waterproof gel-filled enclosure, four cable ties, and installation instructions.

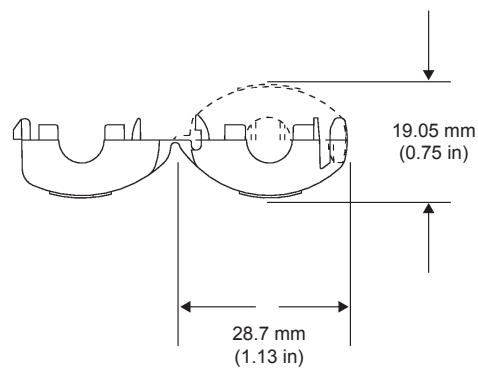
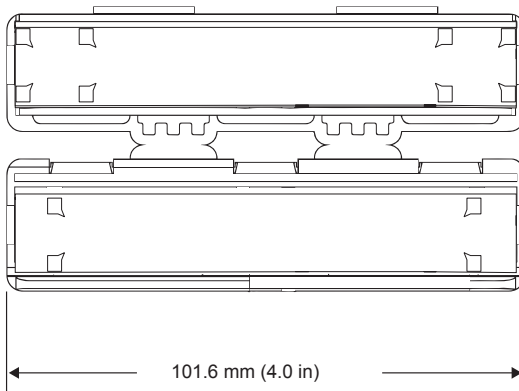
General Specifications

- Package size: 16.5 x 9.5 x 2.0 cm (6.5 x 3.75 x 0.75 in)
- Package weight: 55 g (1.94 oz)
- Temperature (operating): -40 to 70 °C (-40 to 158 °F)
- Humidity (operating): 100% (condensing)

Termination circuit card assembly



Waterproof enclosure



See the FlexZone Datasheet for a full system description.