

# Flare Sensor Unit

## T1EM1700

---

### Description

The Sensor Unit detects duress alarms generated by Flare Personal Protection Devices (PPDs) and conveys their RF signal information to the Flare Real-Time Locating System software. Its rugged enclosure includes mounting flanges and can be installed in concealed or protected locations.

### Physical Specifications

- Dimensions (L/W/D): 22.1 x 14.6 x 5.5 cm (8.7 x 5.75 x 2.17 in) (not including cable gland)
- Weight: 598 g (1.3 lbs)
- Material: Flame-retardant UV-stabilized polycarbonate
- Mounting hardware:
  - Flanges for installation on a wide variety of non-moving surfaces
  - Mounting holes: 4 x 4.75 mm (4 x 3/16 in)

### Environmental Specifications

- Operating temperature: -20 to 60 °C (-4 to 140 °F)
- Humidity: 0 to 90%, non-condensing

### Electrical Specifications

- PoE per IEEE 802.3af (Class 1)
- Power consumption: less than 1.5W

### RF Specifications

- RF bands (USA/Canada): 450 to 470 MHz
- Other Countries: Contact factory

### Antenna Options

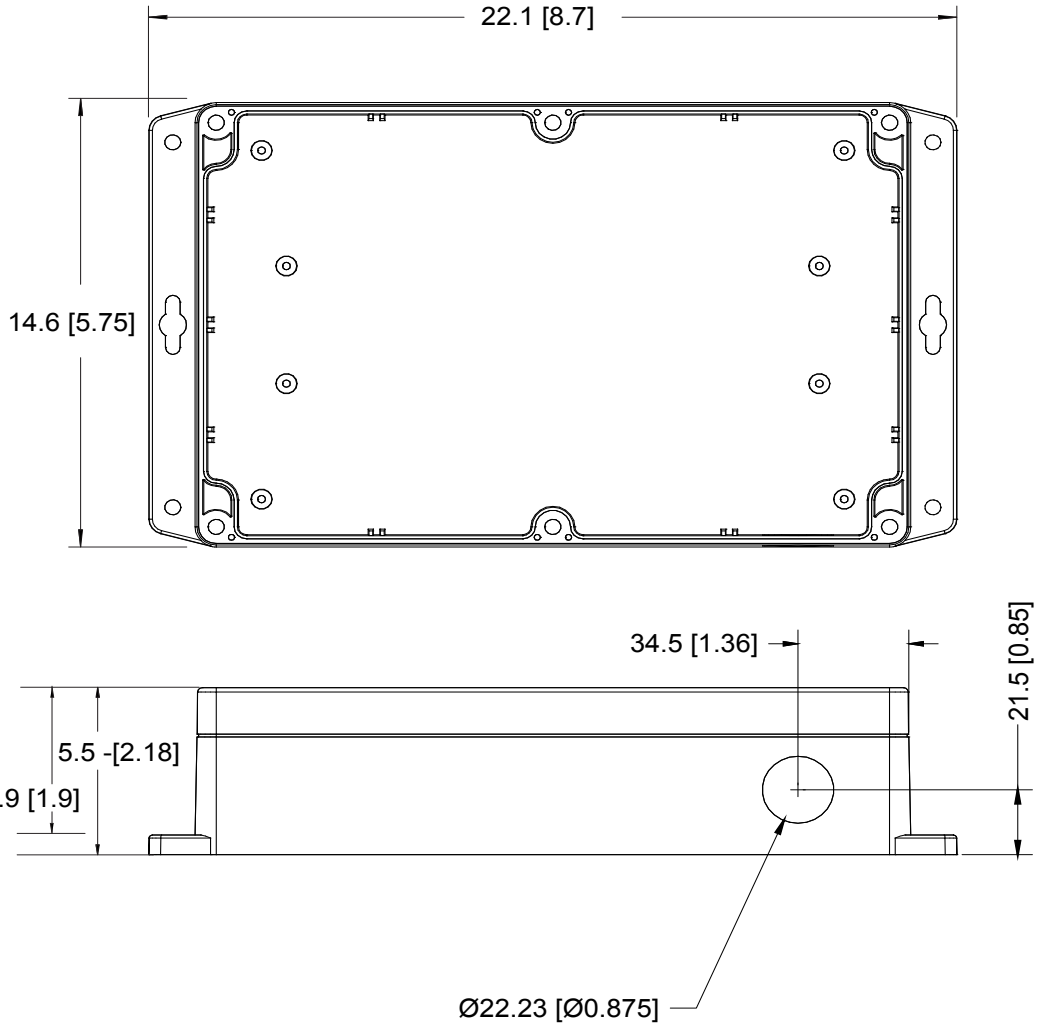
- Built-in internal antennas
- Support for application-specific external antennas (SMA connector)

### Certifications/Compliance

- FCC Part 90
- EN 60950
- UL/CSA



See the Flare Datasheet for a full system description.



Dimensions in cm [inches]  
Cover removed in top and isometric views

