

Flare Personal Protection Device (PPD)

T1FG1601

Description

The Personal Protection Device (PPD) generates an RF-based signal whenever its user presses the button, a pull-pin is removed, or its internal accelerometer detects a man-down condition. The RF signal is received by a network of sensor units installed throughout the facility.

Physical Specifications

- Size (excluding holder): 12 x 5 x 2.5 cm (4.7 x 2 x 1 in)
- Weight (including holster and battery): 200 g (7 oz)
- Enclosure design:
 - Black ABS
 - Tamper-resistant screws
 - Splash-resistant
 - Battery cover: 4 tamper-resistant screws
- Holder: Black leather with belt loop and snaps

Environmental Specifications

- Operating temperature: -20 to 60 °C (-4 to 140 °F) (depending on battery chemistry)
- Humidity: 0 to 90%, non-condensing

RF Specifications

- RF bands (USA/Canada): 450 to 470 MHz
- Other Countries: Contact factory



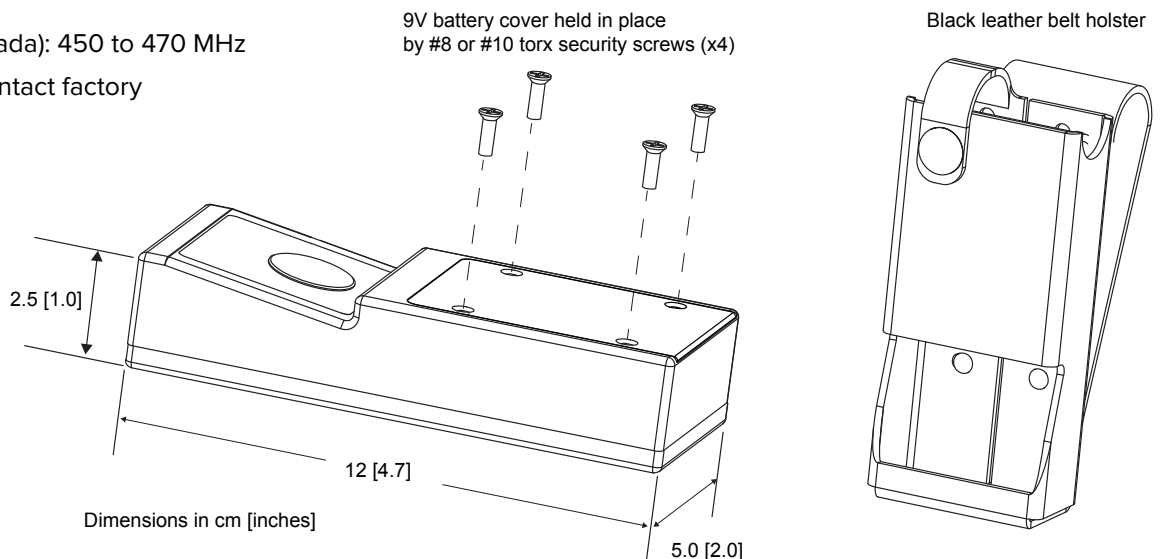
Electrical Specifications

- Battery: 9V alkaline or lithium

Certifications/Compliance

- FCC Part 90
- EN 60950

See the Flare Datasheet for a full system description.



info@senstar.com • senstar.com